



REOTRON SMP

Variable DC power supply made by REO

REOTRON SMP

Variable DC power supply made by REO

Current, voltage, power - For many years REO has been concerned with the efficient conversion of energy – using both inductive and electronic means. REOTRON SMP switch-mode power supplies guarantee a safe and stable electric power supply in process engineering plants and stand for highest quality.

The REOTRON SMP power supplies are primary switched power supplies with galvanic separation from the input to the output. They can be used as voltage, current or power regulators.

Operation

The unit can be operated from an internal display, external control signals of 0...+10V, 0(4)...20mA or optionally by a fieldbus interface such as Profibus-DP, DeviceNet, Ethercad or CAN-BUS protocols.

Input devices

The device input is designed for connection to a three-phase mains 3 x 400 V, 50/60 Hz. The compliance of EMC standards is guaranteed by an input-sided PFC-mains filter.

Design

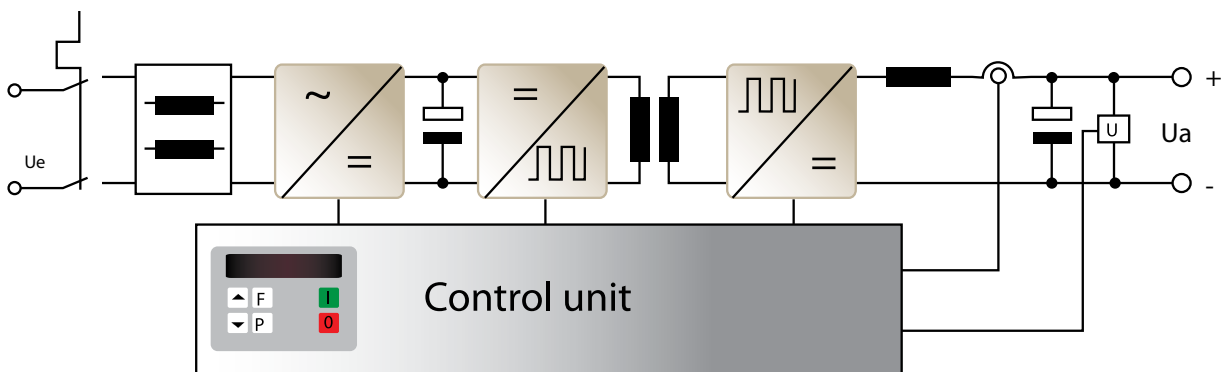
The devices have a compact design in a 19 inch rackmount chassis and can be delivered as a installation ready control cabinet version or as a tabletop unit (lab version). The devices are air- or water-cooled.

Connection

The SMP's are connected via screw terminals and with cooper terminal buses at high output currents. Like all REO-products, the REOTRON SMP's are also available as customized versions.

High range of performance

The units can be combined to power supplies with higher ratings by connecting the units in series or parallel.



Customized solutions

Our in-house production and development of inductive components allow problem-oriented customized solutions of power supplies.



Benefits:

- + Very good cos PHI of 0,95
- + Power Factor Correction
- + Compact dimensions
- + Series or parallel connection
- + Air or water cooled
- + Many options of combinations for different requirements with other REO product ranges

REOTRON SMP-ESM

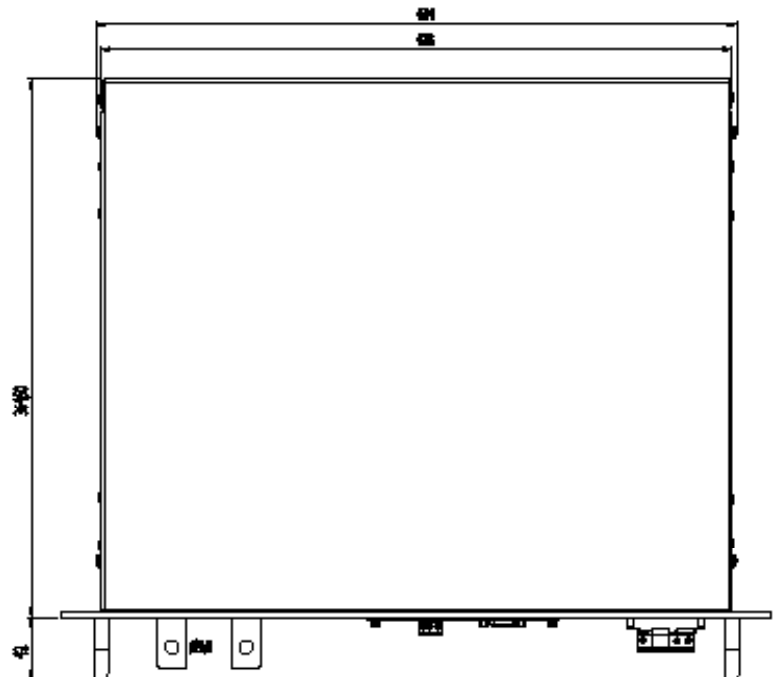
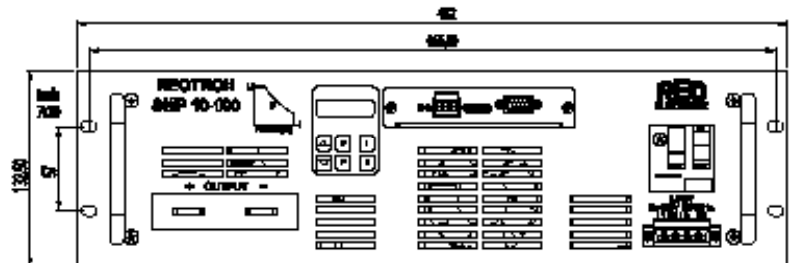
19" Plug-In module

Technical data

Type	REOTRON SMP-ESM
Input voltage:	3 x 400 V, +/- 10 %, 50/60 Hz
Ripple p-p:	100 mV/200 mV
Setpoint Input:	0...+10 V, DC 0(4)...20 mA, Potentiometer 10 kOhm internal control over display
Actual Output:	0...+10 V, DC 0(4)...20 mA, internal control over display
Interfaces (optional)	Profibus-DP DeviceNet Can-BUS RS 232 EtherCat
Control accuracy:	1% of the nominal value (higher on request)
Rating:	24 V, DC or contact
Protection:	Cabinet installation IP 20
2 x relay status:	Changer 250 V, 1A
Efficiency:	> 85 %
Cos Φ :	0,95
PFC:	0,94
Operating temperature:	0...+45 °C
Standards:	EN 50178, EN 61000-6-2, EN 61000-6-4



Example with 1kW + Profibus-DP



REOTRON SMP-ESM 19" Plug-In module

REO Series	SMP-ESM 25-40	SMP-ESM 25-100	SMP-ESM 25-200	SMP-ESM 25-300	SMP-ESM 25-400	SMP-ESM 25-500	SMP-ESM 25-600
Output Power [W]	0...1000	0...2500	0...5000	0...7500	0...10000	0...12500	0...15000
Output voltage [V]	0...25	0...25	0...25	0...25	0...25	0...25	0...25
Output current [A]	0...40	0...100	0...200	0...300	0...400	0...500	0...600
Dimensions [BxTxHE]	482x406/3U	482x406/3U	482x406/3U	482x406/3U	482x406/6U	482x406/6U	482x406/6U

REO Series	SMP-ESM 50-20	SMP-ESM 50-50	SMP-ESM 50-100	SMP-ESM 50-150	SMP-ESM 50-200	SMP-ESM 50-250	SMP-ESM 50-300
Output Power [W]	0...1000	0...2500	0...5000	0...7500	0...10000	0...12500	0...15000
Output voltage [V]	0...50	0...50	0...50	0...50	0...50	0...50	0...50
Output current [A]	0...20	0...50	0...100	0...150	0...200	0...250	0...300
Dimensions [BxTxHE]	482x406/3U	482x406/3U	482x406/3U	482x406/3U	482x406/6U	482x406/6U	482x406/6U

REO Series	SMP-ESM 80-13	SMP-ESM 80-31	SMP-ESM 80-63	SMP-ESM 80-94	SMP-ESM 80-125	SMP-ESM 80-156	SMP-ESM 80-188
Output Power [W]	0...1000	0...2500	0...5000	0...7500	0...10000	0...12500	0...15000
Output voltage [V]	0...80	0...80	0...80	0...80	0...80	0...80	0...80
Output current [A]	0...13	0...31	0...63	0...94	0...125	0...156	0...188
Dimensions [BxTxHE]	482x406/3U	482x406/3U	482x406/3U	482x406/3U	482x406/6U	482x406/6U	482x406/6U

REO Series	SMP-ESM 150-7	SMP-ESM 150-17	SMP-ESM 150-33	SMP-ESM 150-50	SMP-ESM 150-67	SMP-ESM 150-83	SMP-ESM 150-100
Output Power [W]	0...1000	0...2500	0...5000	0...7500	0...10000	0...12500	0...15000
Output voltage [V]	0...150	0...150	0...150	0...150	0...150	0...150	0...150
Output current [A]	0...7	0...17	0...33	0...50	0...67	0...83	0...100
Dimensions [BxTxHE]	482x406/3U	482x406/3U	482x406/3U	482x406/3U	482x406/6U	482x406/6U	482x406/6U

REO Series	SMP-ESM 250-4	SMP-ESM 250-10	SMP-ESM 250-20	SMP-ESM 250-30	SMP-ESM 250-40	SMP-ESM 250-50	SMP-ESM 250-60
Output Power [W]	0...1000	0...2500	0...5000	0...7500	0...10000	0...12500	0...15000
Output voltage [V]	0...250	0...250	0...250	0...250	0...250	0...250	0...250
Output current [A]	0...4	0...10	0...20	0...30	0...40	0...50	0...60
Dimensions [BxTxHE]	482x406/3U	482x406/3U	482x406/3U	482x406/3U	482x406/6U	482x406/6U	482x406/6U

REO Series	SMP-ESM 400-2,5	SMP-ESM 400-6,25	SMP-ESM 400-13	SMP-ESM 400-19	SMP-ESM 400-25	SMP-ESM 400-32	SMP-ESM 400-37,5
Output Power [W]	0...1000	0...2800	0...5200	0...7600	0...10000	0...12800	0...15000
Output voltage [V]	0...400	0...400	0...400	0...400	0...400	0...400	0...400
Output current [A]	0...2,5	0...6,25	0...13	0...19	0...25	0...32	0...37,5
Dimensions [BxTxHE]	482x406/3U	482x406/3U	482x406/3U	482x406/6U	482x406/6U	482x406/6U	482x406/6U

REO Series	SMP-ESM 600-2	SMP-ESM 600-4	SMP-ESM 600-8	SMP-ESM 600-13	SMP-ESM 600-17	SMP-ESM 600-21	SMP-ESM 600-25
Output Power [W]	0...1200	0...2400	0...4800	0...7800	0...10200	0...12600	0...15000
Output voltage [V]	0...600	0...600	0...600	0...600	0...600	0...600	0...600
Output current [A]	0...2	0...4	0...8	0...13	0...17	0...21	0...25
Dimensions [BxTxHE]	482x406/3U	482x406/3U	482x406/3U	482x406/6U	482x406/6U	482x406/6U	482x406/6U

Higher voltages and currents on request



REOTRON SMP-ESH

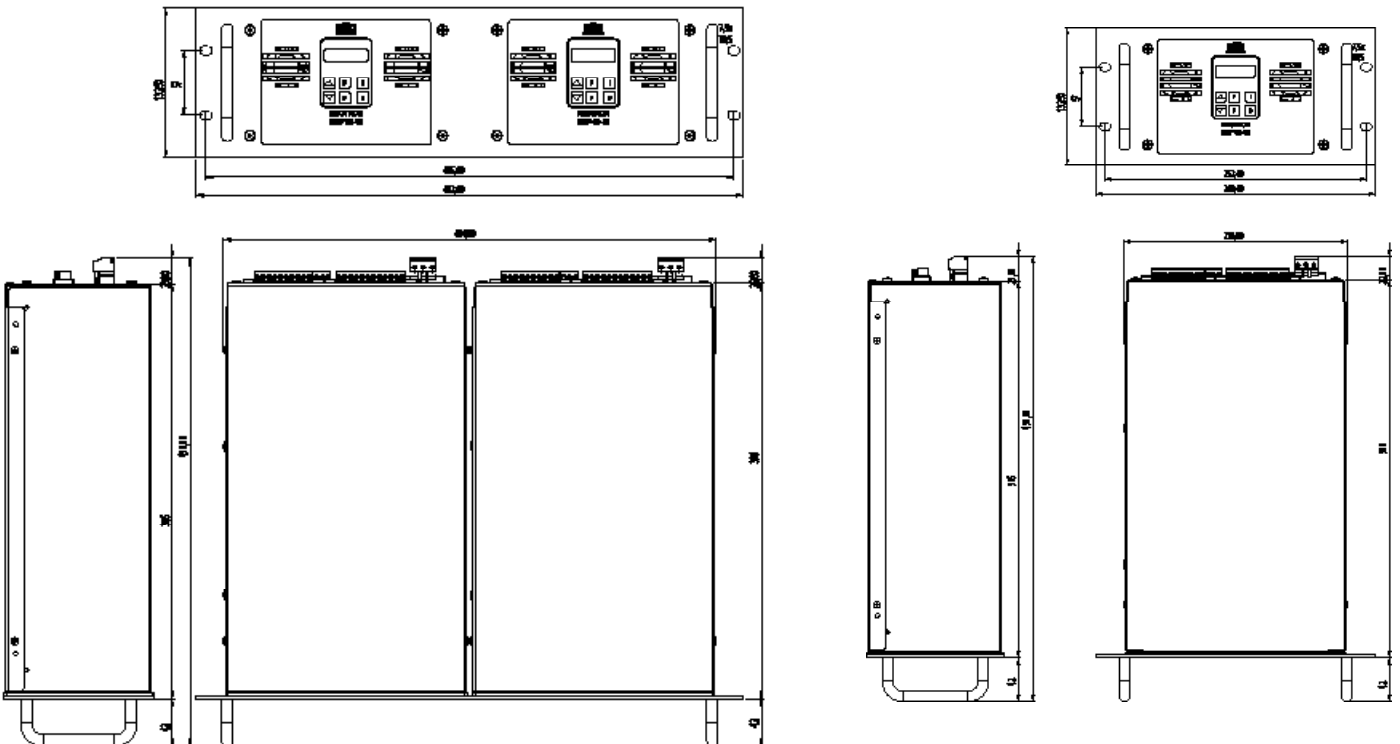
1/2 19" Plug-In module

Technical data

Type	REOTRON SMP-ESH
Input voltage:	3 x 400 V, +/- 10 %, 50/60 Hz 230 V, +/- 10 %, 50/60 Hz
Ripple p-p:	100 mV/200 mV
Setpoint Input:	0...+10 V, DC 0(4)...20 mA, Potentiometer 10 kOhm internal control over display
Actual Output:	0...+10 V, DC 0(4)...20 mA, internal control over display
Interfaces (optional)	Profibus-DP DeviceNet Can-BUS RS 232 EtherCat
Control accuracy:	1% of the nominal value (higher on request)
Rating:	24 V, DC or contact
Protection:	Cabinet installation IP 20
2 x relay status:	Changer 250 V, 1A
Efficiency:	> 85 %
Cos Φ:	0,95
PFC:	0,94
Operating temperature:	0...+45 °C
Standards:	EN 50178, EN 61000-6-2, EN 61000-6-4



Dimensions (up to 1kW, also as 19" unit with two modules)



REOTRON SMP-ESH 1/2 19" Plug-In module

REO Series	SMP-ESH 10-10	SMP-ESH 10-20	SMP-ESH10-30	SMP-ESH 10-40	SMP-ESH10-50	SMP-ESH 10-60
Output Power [W]	0...100	0...200	0...300	0...400	0...500	0...600
Output voltage [V]	0...10	0...10	0...10	0...10	0...10	0...10
Output current [A]	0...10	0...20	0...30	0...40	0...50	0...60
Dimensions [WxHxD]	217x133x386	217x133x386	217x133x386	217x133x386	217x133x386	217x133x386

REO Series	SMP-ESH 20-10	SMP-ESH 20-20	SMP-ESH 20-30	SMP-ESH 20-40	SMP-ESH 20-50
Output Power [W]	0...200	0...400	0...600	0...800	0...1000
Output voltage [V]	0...20	0...20	0...20	0...20	0...10
Output current [A]	0...10	0...20	0...30	0...40	0...50
Dimensions [WxHxD]	217x133x386	217x133x386	217x133x386	217x133x386	217x133x386

REO Series	SMP-ESH 30-10	SMP-ESH 30-20	SMP-ESH 30-30	SMP-ESH 30-40
Output Power [W]	0...300	0...600	0...900	0...1200
Output voltage [V]	0...30	0...30	0...30	0...30
Output current [A]	0...10	0...20	0...30	0...40
Dimensions [WxHxD]	217x133x386	217x133x386	217x133x386	217x133x386

REO Series	SMP-ESH 40-10	SMP-ESH 40-20	SMP-ESH 40-30
Output Power [W]	0...400	0...800	0...1200
Output voltage [V]	0...40	0...40	0...40
Output current [A]	0...10	0...20	0...30
Dimensions [WxHxD]	217x133x386	217x133x386	217x133x386

REO Baureihe	SMP-ESH 50-10	SMP-ESH 50-20	SMP-ESH 60-10	SMP-ESH 60-20	SMP-ESH 70-10	SMP-ESH 70-20	SMP-ESH 80-10
Output Power [W]	0...500	0...1000	0...600	0...1200	0...700	0...1400	0...800
Output voltage [V]	0...50	0...50	0...60	0...60	0...70	0...70	0...80
Output current [A]	0...10	0...20	0...10	0...20	0...10	0...20	0...10
Dimensions [WxHxD]	217x133x386	217x133x386	217x133x386	217x133x386	217x133x386	217x133x386	217x133x386



REOTRON SMP-KMA

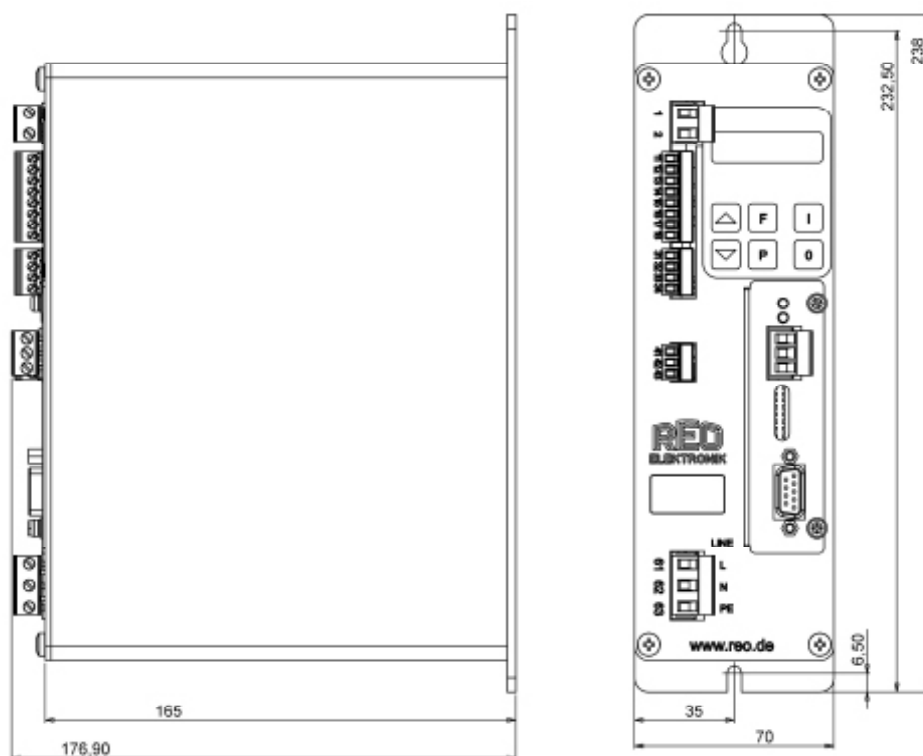
Installation on mounting wall

Technical data

Type	REOTRON SMP-KMA
Input voltage:	230 V, +/- 10 %, 50/60 Hz
Ripple p-p:	100 mV/200 mV
Setpoint Input:	0...+10 V, DC 0(4)...20 mA, Potentiometer 10 kOhm internal control over display
Actual Output:	0...+10 V, DC 0(4)...20 mA, internal control over display
Interfaces (optional)	Profibus-DP DeviceNet Can-BUS RS 232 EtherCat
Control accuracy:	1% of the nominal value (higher on request)
Rating:	24 V, DC or contact
Protection:	Cabinet installation IP 20
2 x relay status:	Changer 250 V, 1A
Efficiency:	> 85 %
Cos Φ :	0,95
PFC:	0,94
Operating temperature:	0...+45 °C
Standards:	EN 50178, EN 61000-6-2, EN 61000-6-4



REOTRON SMP-KMA



Example with
Profibus-DP-Interface

REO Series	SMP-KMA 10-2	SMP-KMA 10-5	SMP-KMA 10-7,5	SMP-KMA 20-2	SMP-KMA 20-5	SMP-KMA 20-7,5
Output Power [W]	0...20	0...50	0...75	0...40	0...100	0...150
Output voltage [V]	0...10	0...10	0...10	0...20	0...20	0...20
Output current [A]	0...2	0...5	0...7,5	0...2	0...5	0...7,5
Dimensions [WxHxD]	70x238x177	70x238x177	70x238x177	70x238x177	70x238x177	70x238x177

REO Series	SMP-KMA 30-2	SMP-KMA 30-5	SMP-KMA 40-2	SMP-KMA 40-5	SMP-KMA 50-2
Output Power [W]	0...60	0...150	0...80	0...200	0...100
Output voltage [V]	0...30	0...30	0...40	0...40	0...50
Output current [A]	0...2	0...5	0...2	0...5	0...2
Dimensions [WxHxD]	70x238x177	70x238x177	70x238x177	70x238x177	70x238x177

REOTRON SMP-KMB

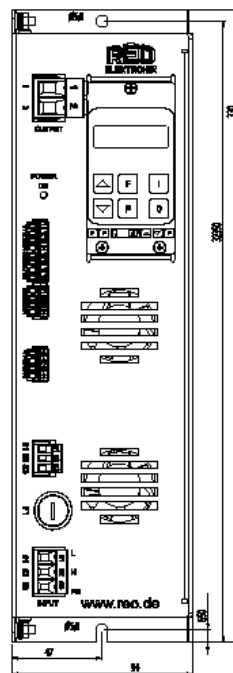
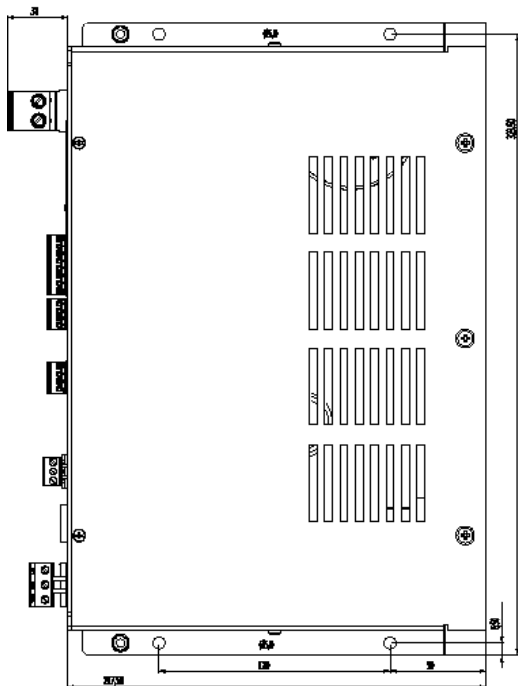
Installation on mounting wall

Technical data:

Type	REOTRON SMP-KMB
Input voltage:	230 V, +/- 10 %, 50/60 Hz
Ripple p-p:	100 mV/200 mV
Setpoint Input:	0...+10 V, DC 0(4)...20 mA, Potentiometer 10 kOhm internal control over display
Actual Output:	0...+10 V, DC 0(4)...20 mA, internal control over display
Interfaces (optional)	Profibus-DP DeviceNet Can-BUS RS 232 EtherCat
Control accuracy:	1% of the nominal value (higher on request)
Rating:	24 V, DC or contact
Protection:	Cabinet installation IP 20
2 x relay status:	Changer 250 V, 1A
Efficiency:	> 85 %
Cos Φ :	0,95
PFC:	0,94
Operating temperature:	0...+45 °C
Standards:	EN 50178, EN 61000-6-2, EN 61000-6-4



Dimensions:



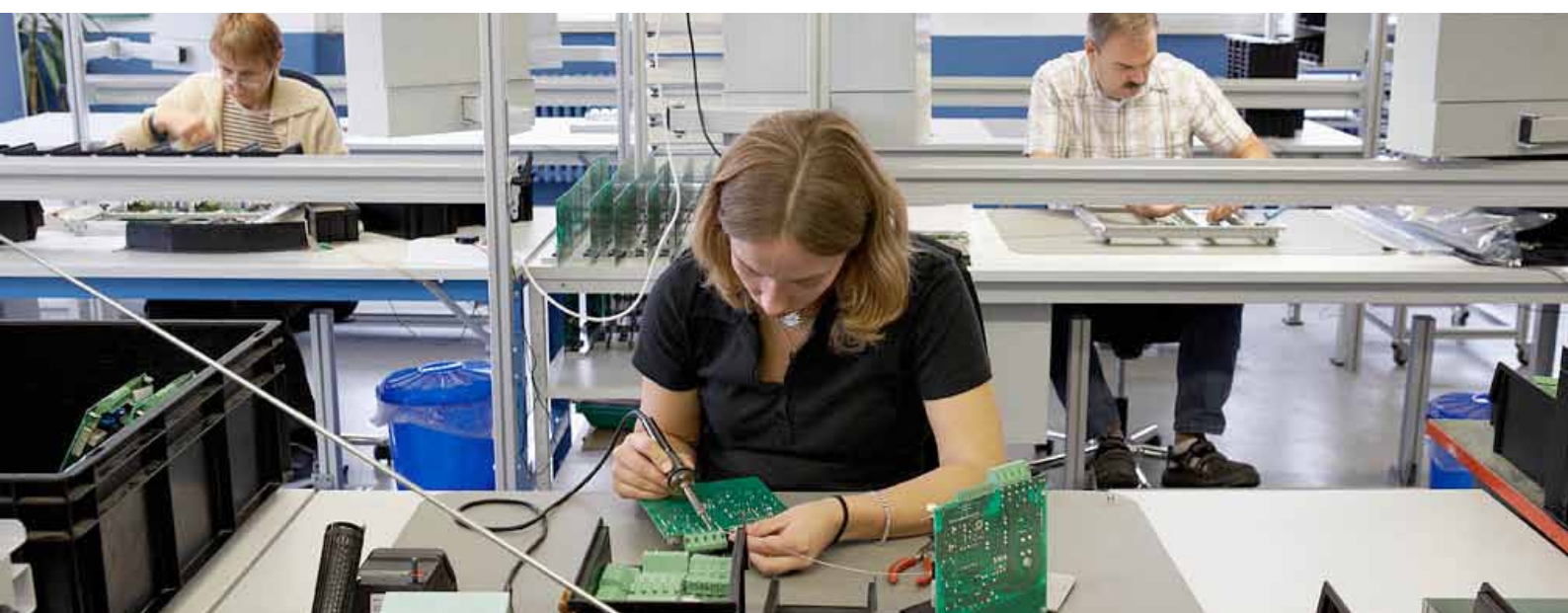
REOTRON SMP-KMB

REO Series	SMP-KMB 10-10	SMP-KMB 10-20	SMP-KMB 10-30	SMP-KMB 10-40	SMP-KMB 10-50
Output Power [W]	0...100	0...200	0...300	0...400	0...500
Output voltage [V]	0...10	0...10	0...10	0...10	0...10
Output current [A]	0...10	0...20	0...30	0...40	0...50
Dimensions [WxHxD]	94x330x218	94x330x218	94x330x218	94x330x218	94x330x218

REO Series	SMP-KMB 20-10	SMP-KMB 20-20	SMP-KMB 20-30	SMP-KMB 20-40	SMP-KMB 20-50
Output Power [W]	0...200	0...400	0...600	0...800	0...1000
Output voltage [V]	0...20	0...20	0...20	0...20	0...20
Output current [A]	0...10	0...20	0...30	0...40	0...50
Dimensions [WxHxD]	94x330x218	94x330x218	94x330x218	94x330x218	94x330x218

REO Series	SMP-KMB 30-10	SMP-KMB 30-20	SMP-KMB 30-30	SMP-KMB 30-40	SMP-KMB 40-10	SMP-KMB 40-20	SMP-KMB 40-30
Output Power [W]	0...300	0...600	0...900	0...1200	0...400	0...800	0...1200
Output voltage [V]	0...30	0...30	0...30	0...30	0...40	0...40	0...40
Output current [A]	0...10	0...20	0...30	0...40	0...10	0...20	0...30
Dimensions [WxHxD]	94x330x218	94x330x218	94x330x218	94x330x218	94x330x218	94x330x218	94x330x218

REO Series	SMP-KMB 50-10	SMP-KMB 50-20	SMP-KMB 60-10	SMP-KMB 60-20	SMP-KMB 70-10	SMP-KMB 70-20	SMP-KMB 80-10	SMP-KMB 80-20
Output Power [W]	0...500	0...1000	0...600	0...1200	0...700	0...1400	0...800	0...1600
Output voltage [V]	0...50	0...50	0...60	0...60	0...70	0...70	0...80	0...80
Output current [A]	0...10	0...20	0...10	0...20	0...10	0...20	0...10	0...20
Dimensions [WxHxD]	94x330x218	94x330x218	94x330x218	94x330x218	94x330x218	94x330x218	94x330x218	94x330x218



REOTRON SMP-SMB

Installation on mounting wall

Technical data

Type	REOTRON SMP-SMB
Input voltage:	3x400 V, +/- 10 %, 50/60 Hz
Ripple p-p:	100 mV/200 mV
Setpoint Input:	0...+10 V, DC 0(4)...20 mA, Potentiometer 10 kOhm internal control over display
Actual Output:	0...+10 V, DC 0(4)...20 mA, internal control over display
Interfaces (optional)	Profibus-DP DeviceNet Can-BUS RS 232 EtherCat
Control accuracy:	1% of the nominal value (higher on request)
Rating:	24 V, DC or contact
Protection:	Cabinet installation IP 20
2 x relay status:	Changer 250 V, 1A
Efficiency:	> 85 %
Cos Φ :	0,95
PFC:	0,94
Operating temperature:	0...+45 °C
Standards:	EN 50178, EN 61000-6-2, EN 61000-6-4



Dimensions (25V-300 A)

Dimensions:

Small (S)

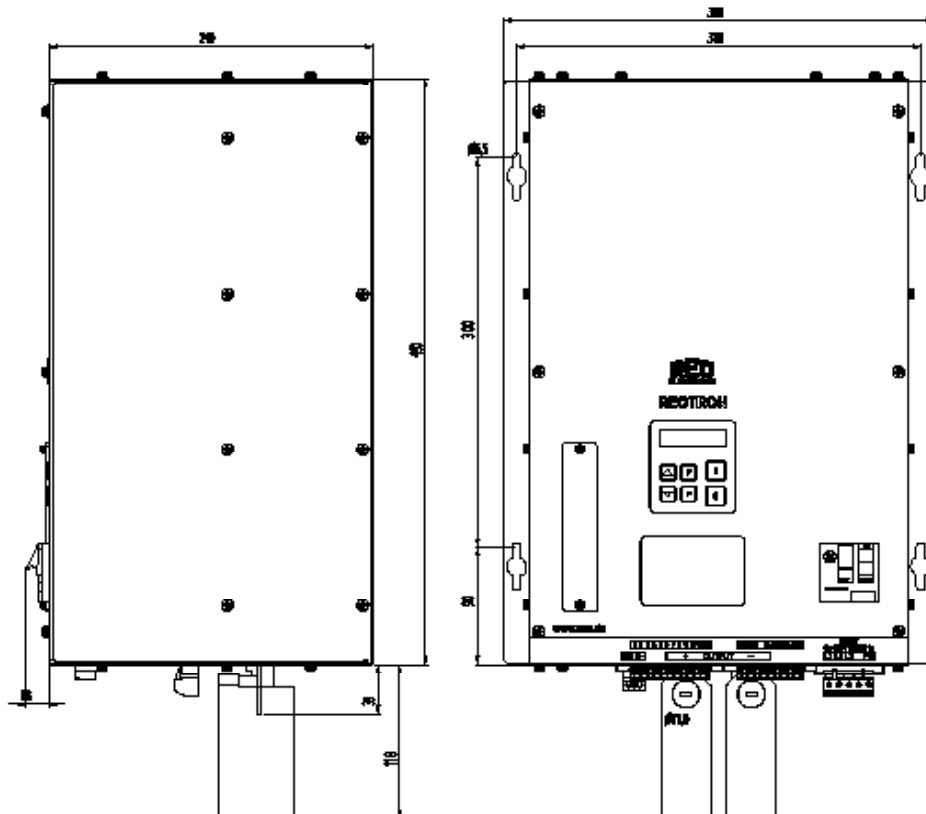
Width = 300 mm
Height = 400 mm
Depth = 230 mm

Medium size (M)

Width = 330 mm
Height = 450 mm
Depth = 250 mm

Large (L)

Width = 400 mm
Height = 480 mm
Depth = 300 mm



REOTRON SMP-SMB

REO Series	SMP-SMB 25-40	SMP-SMB 25-100	SMP-SMB 25-200	SMP-SMB 25-300	SMP-SMB 25-400	SMP-SMB 25-500	SMP-SMB 25-600
Output Power [W]	0...1000	0...2500	0...5000	0...7500	0...10000	0...12500	0...15000
Output voltage [V]	0...25	0...25	0...25	0...25	0...25	0...25	0...25
Output current [A]	0...40	0...100	0...200	0...300	0...400	0...500	0...600
Dimensions	S	S	M	M	L	L	L
REO Series	SMP-SMB 50-20	SMP-SMB 50-50	SMP-SMB 50-100	SMP-SMB 50-150	SMP-SMB 50-200	SMP-SMB 50-250	SMP-SMB 50-300
Output Power [W]	0...1000	0...2500	0...5000	0...7500	0...10000	0...12500	0...15000
Output voltage [V]	0...50	0...50	0...50	0...50	0...50	0...50	0...50
Output current [A]	0...20	0...50	0...100	0...150	0...200	0...250	0...300
Dimensions	S	S	M	M	L	L	L
REO Series	SMP-SMB 80-13	SMP-SMB 80-31	SMP-SMB 80-63	SMP-SMB 80-94	SMP-SMB 80-125	SMP-SMB 80-156	SMP-SMB 80-188
Output Power [W]	0...1000	0...2500	0...5000	0...7500	0...10000	0...12500	0...15000
Output voltage [V]	0...80	0...80	0...80	0...80	0...80	0...80	0...80
Output current [A]	0...13	0...31	0...63	0...94	0...125	0...156	0...188
Dimensions	S	S	M	M	L	L	L
REO Series	SMP-SMB 150-7	SMP-SMB 150-17	SMP-SMB 150-33	SMP-SMB 150-50	SMP-SMB 150-67	SMP-SMB 150-83	SMP-SMB 150-100
Output Power [W]	0...1000	0...2500	0...5000	0...7500	0...10000	0...12500	0...15000
Output voltage [V]	0...150	0...150	0...150	0...150	0...150	0...150	0...150
Output current [A]	0...7	0...17	0...33	0...50	0...67	0...83	0...100
Dimensions	S	S	M	M	L	L	L
REO Series	SMP-SMB 250-4	SMP-SMB 250-10	SMP-SMB 250-20	SMP-SMB 250-30	SMP-SMB 250-40	SMP-SMB 250-50	SMP-SMB 250-60
Output Power [W]	0...1000	0...2500	0...5000	0...7500	0...10000	0...12500	0...15000
Output voltage [V]	0...250	0...250	0...250	0...250	0...250	0...250	0...250
Output current [A]	0...4	0...10	0...20	0...30	0...40	0...50	0...60
Dimensions	S	S	M	M	L	L	L
REO Series	SMP-SMB 400-2,5	SMP-SMB 400-6,25	SMP-SMB 400-12,5	SMP-SMB 400-18,75	SMP-SMB 400-25	SMP-SMB 400-31,25	SMP-SMB 400-37,5
Output Power [W]	0...1000	0...2800	0...5200	0...7600	0...10000	0...12800	0...15000
Output voltage [V]	0...400	0...400	0...400	0...400	0...400	0...400	0...400
Output current [A]	0...2,5	0...6,25	0...13	0...19	0...25	0...32	0...37,5
Dimensions	S	S	M	M	L	L	L
REO Series	SMP-SMB 600-2	SMP-SMB 600-4	SMP-SMB 600-8	SMP-SMB 600-13	SMP-SMB 600-17	SMP-SMB 600-21	SMP-SMB 600-25
Output Power [W]	0...1200	0...2400	0...4800	0...7800	0...10200	0...12600	0...15000
Output voltage [V]	0...600	0...600	0...600	0...600	0...600	0...600	0...600
Output current [A]	0...2	0...4	0...8	0...13	0...17	0...21	0...25
Dimensions	S	S	M	M	L	L	L
	Small (S)		Medium (M)		Large (L)		

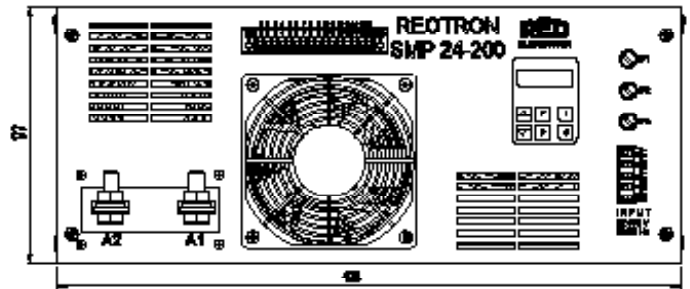
Higher voltages and currents on request

REOTRON SMP-LM

Benchtop

Technical data

Type	REOTRON SMP-LM
Input voltage:	3x400 V, +/- 10 %, 50/60 Hz
Ripple p-p:	100 mV/200 mV
Setpoint Input:	0...+10 V, DC 0(4)...20 mA, Potentiometer 10 kOhm internal control over display
Actual Output:	0...+10 V, DC 0(4)...20 mA, internal control over display
Interfaces (optional)	Profibus-DP DeviceNet Can-BUS RS 232 EtherCat
Control accuracy:	1% of the nominal value (higher on request)
Rating:	24 V, DC or contact
Protection:	Cabinet installation IP 20
2 x relay status:	Changer 250 V, 1A
Efficiency:	> 85 %
Cos Φ :	0,95
PFC:	0,94
Operating temperature:	0...+45 °C
Standards:	EN 50178, EN 61000-6-2, EN 61000-6-4



Dimensions (24V-200A)

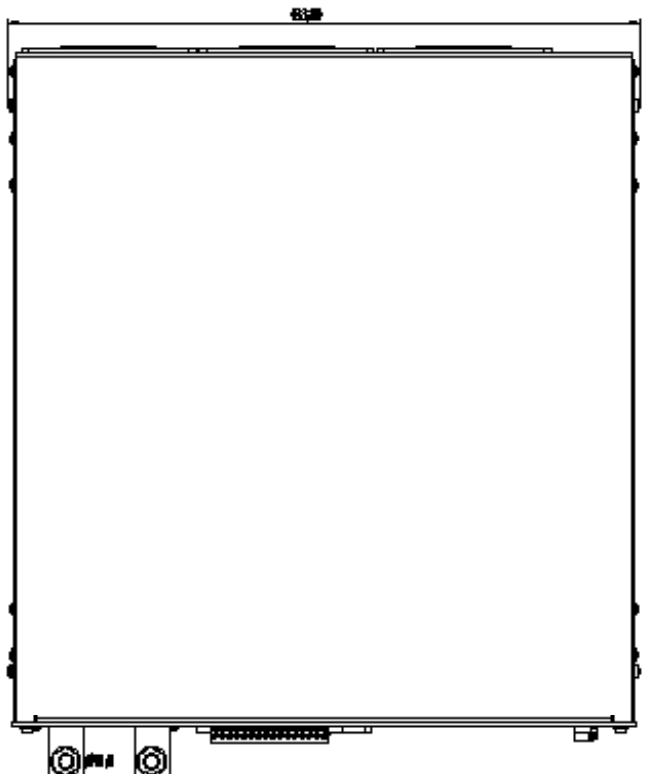
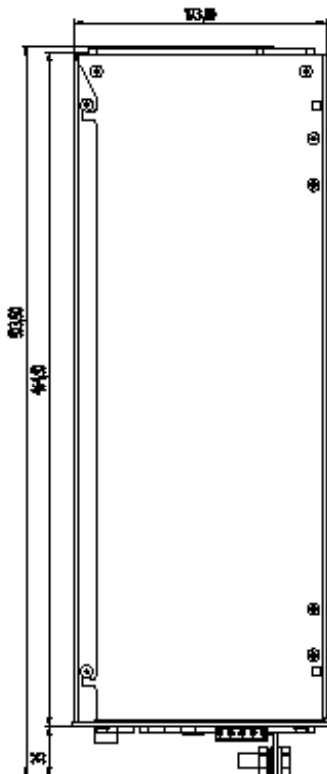
Other Dimensions:

Small (S)

Width = 300 mm
Length = 400 mm
Depth = 220 mm

Large (L)

Width = 400 mm
Length = 480 mm
Depth = 380 mm



REOTRON SMP-LM

REO Series	SMP-LM 25-40	SMP-LM 25-100	SMP-LM 25-200	SMP-LM 25-300	SMP-LM 25-400	SMP-LM 25-500	SMP-LM 25-600
Output Power [W]	0...1000	0...2500	0...5000	0...7500	0...10000	0...12500	0...15000
Output voltage [V]	0...25	0...25	0...25	0...25	0...25	0...25	0...25
Output current [A]	0...40	0...100	0...200	0...300	0...400	0...500	0...600
Dimensions [WxHxD]	434x465/4U	434x465/4U	434x465/4U	434x465/4U	434x465/6U	434x465/6U	434x465/6U

REO Series	SMP-LM 50-20	SMP-LM 50-50	SMP-LM 50-100	SMP-LM 50-150	SMP-LM 50-200	SMP-LM 50-250	SMP-LM 50-300
Output Power [W]	0...1000	0...2500	0...5000	0...7500	0...10000	0...12500	0...15000
Output voltage [V]	0...50	0...50	0...50	0...50	0...50	0...50	0...50
Output current [A]	0...20	0...50	0...100	0...150	0...200	0...250	0...300
Dimensions [WxHxD]	434x465/4U	434x465/4U	434x465/4U	434x465/4U	434x465/6U	434x465/6U	434x465/6U

REO Series	SMP-LM 80-13	SMP-LM 80-31	SMP-LM 80-63	SMP-LM 80-94	SMP-LM 80-125	SMP-LM 80-156	SMP-LM 80-188
Output Power [W]	0...1000	0...2500	0...5000	0...7500	0...10000	0...12500	0...15000
Output voltage [V]	0...80	0...80	0...80	0...80	0...80	0...80	0...80
Output current [A]	0...13	0...31	0...63	0...94	0...125	0...156	0...188
Dimensions [WxHxD]	434x465/4U	434x465/4U	434x465/4U	434x465/4U	434x465/6U	434x465/6U	434x465/6U

REO Series	SMP-LM 150-7	SMP-LM 150-17	SMP-LM 150-33	SMP-LM 150-50	SMP-LM 150-67	SMP-LM 150-83	SMP-LM 150-100
Output Power [W]	0...1000	0...2500	0...5000	0...7500	0...10000	0...12500	0...15000
Output voltage [V]	0...150	0...150	0...150	0...150	0...150	0...150	0...150
Output current [A]	0...7	0...17	0...33	0...50	0...67	0...83	0...100
Dimensions [WxHxD]	434x465/4U	434x465/4U	434x465/4U	434x465/4U	434x465/6U	434x465/6U	434x465/6U

REO Series	SMP-LM 250-40	SMP-LM 250-10	SMP-LM 250-20	SMP-LM 250-30	SMP-LM 250-40	SMP-LM 250-50	SMP-LM 250-60
Output Power [W]	0...1000	0...2500	0...5000	0...7500	0...10000	0...12500	0...15000
Output voltage [V]	0...250	0...250	0...250	0...250	0...250	0...250	0...250
Output current [A]	0...4	0...10	0...20	0...30	0...40	0...50	0...60
Dimensions [WxHxD]	434x465/4U	434x465/4U	434x465/4U	434x465/4U	434x465/6U	434x465/6U	434x465/6U

REO Series	SMP-LM 400-2,5	SMP-LM 400-6,25	SMP-LM 400-12,5	SMP-LM 400-18,75	SMP-LM 400-25	SMP-LM 400-31,25	SMP-LM 400-37,5
Output Power [W]	0...1000	0...2800	0...5200	0...7600	0...10000	0...12800	0...15000
Output voltage [V]	0...400	0...400	0...400	0...400	0...400	0...400	0...400
Output current [A]	0...2,5	0...6,25	0...13	0...19	0...25	0...32	0...37,5
Dimensions [WxHxD]	434x465/4U	434x465/4U	434x465/4U	434x465/4U	434x465/6U	434x465/6U	434x465/6U

REO Series	SMP-LM 600-2	SMP-LM 600-4	SMP-LM 600-8	SMP-LM 600-13	SMP-LM 600-17	SMP-LM 600-21	SMP-LM 600-25
Output Power [W]	0...1200	0...2400	0...4800	0...7800	0...10200	0...12600	0...15000
Output voltage [V]	0...600	0...600	0...600	0...600	0...600	0...600	0...600
Output current [A]	0...2	0...4	0...8	0...13	0...17	0...21	0...25
Dimensions [WxHxD]	434x465/4U	434x465/4U	434x465/4U	434x465/4U	434x465/6U	434x465/6U	434x465/6U

Higher voltages and currents on request



■ Headquarters - Germany

REO ELEKTRONIK AG

Brühler Straße 100 · D-42657 Solingen

Tel.: +49 (0)212 8804 0 · Fax: +49 (0)212 8804 188

REO INDUCTIVE COMPONENTS AG

Brühler Straße 100 · D-42657 Solingen

Tel.: +49 (0)212 8804 0 · Fax: +49 (0)212 8804 188

E-Mail: info@reo.de

Internet: www.reo.de

■ Divisions - Germany

REO INDUCTIVE COMPONENTS AG

REO Train Technologies Division

TrainTechnologies Division

Centre of Competence Berlin

Erasmusstraße 14 · D-10553 Berlin

Tel.: +49 (0)30 3670236 0 · Fax: +49 (0)30 3670236 10

E-Mail: zentrale.berlin@reo.de · Internet: www.reo.de

Fertigung/Production

TrainTechnologies Division

Eduard-Maurer-Straße 13 · D-16761 Hennigsdorf

REO IBK Drives Division

IBK Drives Division

Holzhausener Straße 52 · D-16866 Kyritz

Tel.: +49 (0)33971 485 0 · Fax: +49 (0)33971 485 90

E-Mail: ibk@reo.de · Internet: www.reo.de

REO Setzermann Medical Division

Setzermann Medical Division

Schuldhöfing Weg 7 · D-84347 Pfarrkirchen

Tel.: +49 (0)8561 9886 0 · Fax: +49 (0)8561 9886 40

E-Mail: setzermann@reo.de · Internet: www.reo.de

REO Test and PowerQuality Division

Test and PowerQuality Division

Brühler Straße 100 · D-42657 Solingen

Tel.: +49 (0)212 8804 0 · Fax: +49 (0)212 8804 188

E-Mail: main@reo.de · Internet: www.reo.de

■ China

REO Shanghai Inductive Components Co., Ltd

No. 536 ShangFeng Road · Pudong, 201201 Shanghai · China

Tel.: +86 (0)21 5858 0686 · Fax: +86 (0)21 5858 0289

E-Mail: info@reo.cn · Internet: www.reo.cn

■ France

REO VARIAC S.A.R.L.

ZAC Du Clos aux Pois 1 · 6/8 rue de la Closerie-LISSES · F-91048 Evry Cédex

Tel.: +33 (0)1 6911 1898 · Fax: +33 (0)1 6911 0918

E-Mail: reovariac@reo.fr · Internet: www.reo.fr

■ Great Britain

REO (UK) Ltd.

Units 2-4 Callow Hill Road · Craven Arms · Shropshire SY7 8NT · UK

Tel.: +44 (0)1588 673 411 · Fax: +44 (0)1588 672 718

E-Mail: main@reo.co.uk · Internet: www.reo.co.uk

■ India

REO GPD INDUCTIVE COMPONENTS PVT. LTD

2/202 Luna Road · Village Luna · Taluka Padra

Vadodara - 391440 · India

Tel.: +91 (2662) 221723, +91 (265) 2396148 · Fax: +91 (265) 2396971

E-Mail: info@reogpd.com · Internet: www.reo-ag.in

■ Italy

REO ITALIA S.r.l.

Via Treponti, 29 · I-25086 Rezzato (BS)

Tel.: +39 030 279 3883 · Fax: +39 030 279 0600

E-Mail: info@reitalia.it · Internet: www.reitalia.it

■ Poland

REO CROMA Sp.zo.o

ul. Pozaryskiego 28, bud 20 · PL-04-703 Warszawa

Tel.: +48 (0)22 812 3066 · Fax: +48 (0)22 815 6906

E-Mail: croma@croma.com.pl · Internet: www.croma.com.pl

■ Russia

REO RUSSIA Ltd.

17/2, Dorozhnaya st., · Voronezh 394062 · RUSSIA

Tel.: +7 (0)4732 202 453 · Fax: +7 (0)4732 707 011

E-Mail: info@reo-russia.ru · Internet: www.reo-russia.ru

■ Spain

REO ESPAÑA 2002 S.A.

C/Manuel Ventura i Campeny 21B · local 9 · E-08339 Vilassar de Dalt (Barcelona)

Tel.: +34 937 509 994 · Fax: +34 937 509 995

E-Mail: info@reospain.com · Internet: www.reospain.com

■ Switzerland

REO ELEKTRONIK AG

Im Halbiacker 5a · CH-8352 Elsau

Tel.: +41 (0)52 363 2820 · Fax: +41 (0)52 363 1241

E-Mail: info@reo.ch · Internet: www.reo.ch

■ Turkey

REOTURKEY ELEKTRONİK San. ve Tic. Ltd. Şti.

Halil Rifatpasa Mah. · Darülcenze CD Perpa Tic Merkezi

B Blok Kat 8 No:1095 · TR-34384 Sisli – Istanbul

Tel.: +90 (0)212 2215 118 · Fax: +90 (0)212 2215 119

E-Mail: info@reo-turkey.com · Internet: www.reo-turkey.com

■ USA

REO-USA, Inc.

8450 E. 47th St · USA-Indianapolis, IN 46226

Tel.: +1 (317) 899 1395 · Fax: +1 (317) 899 1396

E-Mail: info@reo-usa.com · Internet: www.reo-usa.com